

WARRANTY

1. The benefits conferred herein are in addition to, and in no way shall be deemed to derogate; either expressly or by implication, any or all other rights and remedies in respect to this Clipsal Electronic Product, which the consumer has under the Commonwealth Trade Practices Act or any other similar State or Territorial laws.
2. The Warrantor is **Gerard Industries Pty Ltd** 12 Park Terrace, Bowden, South Australia, 5007. Telephone (08) 8269 0511.
With registered offices in all Australian States.
NSW 122 Canterbury Road, Padstow 2200. Telephone (02) 9794 9200.
VIC 83 - 89 Queens Parade, North Fitzroy 3068.
Telephone (03) 9207 3200.
QLD Brisbane - 919 Nudgee Road, Nudgee 4014. Telephone (07) 3244 7470.
Townsville - 5 Leyland Street, Garbutt 4701. Telephone (07) 4725 1822
NT 16 Albatross Street, Winnellie 0820. Telephone (08) 8947 0278.
WA 23 Truganina Road, Malaga 6062. Telephone (08) 9442 4444.
TAS Hobart - 55 Lampton Avenue, Derwent Park 7009.
Telephone (03) 6272 3177.
Launceston - 63 Boland Street, Launceston 7250.
Telephone (03) 6331 6951.
3. This Clipsal Electronic Product is guaranteed against faulty workmanship and materials for a period of two (2) years from the date of installation.
4. Gerard Industries Pty Ltd reserves the right, at its discretion, to either repair free of parts and labour charges, replace or offer refund in respect to any article found to be faulty due to materials, parts or workmanship.
5. This warranty is expressly subject to the Clipsal Electronic Product being installed, wired, tested, operated and used in accordance with the manufacturer's instructions.
6. All costs of a claim shall be met by Gerard Industries Pty Ltd, however, should the product that is the subject of the claim be found to be in good working order, all such costs shall be met by the claimant.
7. When making a claim the consumer shall forward the Clipsal Electronic Product to the nearest office of Gerard Industries Pty Ltd together with adequate particulars of the defect within 28 days of the fault occurring.

Product of Gerard Industries Pty Ltd

ACN 007 873 529
12 Park Terrace, Bowden
South Australia 5007
Telephone (08) 8269 0511
Facsimile (08) 8340 1724

F1454

CLIPSAL[®]
ELECTRONIC

Ultrasonic Motion Detector

Installation Instructions

752/135U

Please leave with customer



COMMONSENSE TROUBLE SHOOTING

- PROBLEM** The power is restored and the LED does not blink when making motion.
- Solution A** Adjust sensitivity and set level to a higher setting as required by observing red LED.
- Solution B** Remove sensor and measure if 24V d.c. is present between red and black leads. If no voltage is present, check power connection and power/switch pack. If voltage is present, replace sensor with new one and send defective sensor to Gerard Industries Pty Ltd.
- Problem** Lights are on continuously and do not shut off when no one is present.
- Solution** Re-check all your connections then disconnect sensor while power is still on. If lights remain on, this indicates that there is a short in the 752LD Lead connecting the sensor and the power/switch module. Solution to this problem is to replace the 752LD Lead. Check also for external causes such as excessive turbulence (hanging mobiles, etc.).
- Problem** Lights will not switch on even after sensor is disconnected and red and blue wires are shorted.
- Solution** This could indicate a broken wire in the 752LD Lead. Next, disconnect the 752LD Lead at the power/switch module and short the pins where the red and blue wires connect. If lights still do not switch on, replace power/switch module after checking if all connections were made correctly.
- Problem** LED blinks but lights will not switch on.
- Solution** Check if sensor is working when bypassing all electronics. This can be done by inserting the key provided with each unit. If lights switch on, replace defective sensor.
- Problem** After all connections are verified, lights stay on when no one is present, and from time to time LED blinks.
- Solution** Turn sensitivity adjustment to a lower setting.

TECHNICAL SPECIFICATIONS

Model Ultrasonic Motion Detector

Time Delay Adjustment Variable from approximately 30 seconds to 30 minutes.

Coverage 360°(walking) = 4.5m x 30m, (Note: mounted in room with 3m ceiling height)

Room Size Adjustment Sensitivity adjustment for ultrasonic detection

Bypass Override Function Logic key or paper clip. Only for emergency use.

Walk Test Indicator Red LED=Ultrasonic.

Ambient Ranges Temperature Operating = (0 degrees to 50 degrees celsius) Humidity - 0-95% RH noncondensing.

Colour White

Enclosure High-impact U.L. approved material with base to comply with all flammability rating standards.

Description 72mm x 127mm x 35mm. Weight 160g.

752 Power Supply and Switched Module

TECHNICAL SPECIFICATIONS

Operating Voltage Range :192Va.c. min.- 265Vac. max.

Operating Frequency :50Hz

Power Consumption :7VA Max. @ 240V

Peak Pulsating d.c. Voltage Output @ 240V a.c. Input (no load) :38V max.

Continuous d.c. Load Current Allowed :100mA max

Switched Active Contact Rating (N.O.) :7.5A max. suitable for fluorescent, inductive and incandescent loads.

Operating Temperature Range 0°C min. - 50°C max.

Number of 752 Series Motion

Detectors allowed to connect :One

INTRODUCTION

The Clipsal 752/135U Motion Sensor uses ultrasonic technology to perform the ultimate task of sensing.

HOW IT WORKS

The 752/135U consists of a 2 transmitters and 2 receiver transducers to provide total volumetric sensing with no blind spots.

The sensor operates on 24Vd.c. and is designed to work with the 752PR power and relay switching module (supplied).

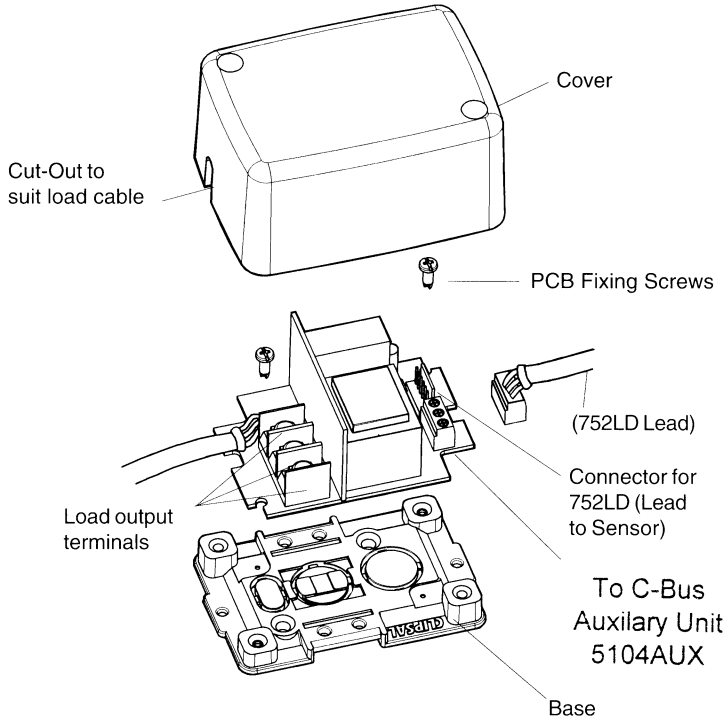
When someone enters a room in which the sensor controls the lighting, the lights are turned on automatically, and in this manner the load can be controlled. The signal derived activates an adjustable timer (30 seconds to 30 minutes), which in turn activates an electrical relay in the power pack, turning the lights on.

If no movement or presence is detected for the time selected, the relay de-energises, turning the lights and load off.

The device has a C-Bus Auxiliary unit connection terminal which is to be connected only to a C-bus 5104AUX unit.

IDENTIFICATION OF PARTS

POWER SUPPLY



APPROXIMATE SENSITIVITY ADJUSTMENT

Model 752/135U

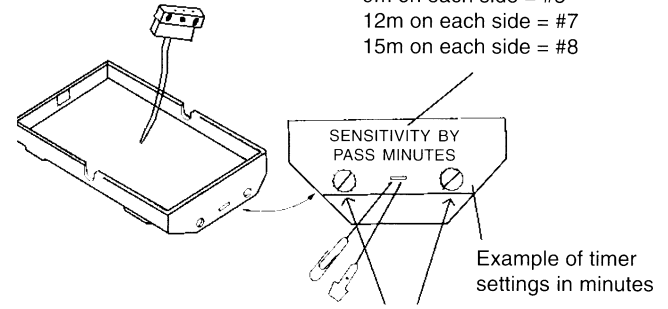
3m on each side = #2

6m on each side = #3

9m on each side = #5

12m on each side = #7

15m on each side = #8



LOGIC BYPASS FUNCTION

Note: When logic key or paper clip is inserted into the slot. Lights will always be on. There is no shock hazard present when using a logic key or a paper clip. This bypass function is for emergency use only.

Stock room = #15
Hallways = #10

COMMISSIONING

Once power has been installed, determine which sensitivity setting and time delay best suits the application.

TIME DELAY TABLE EXAMPLE OF TIMER SETTINGS IN MINUTES

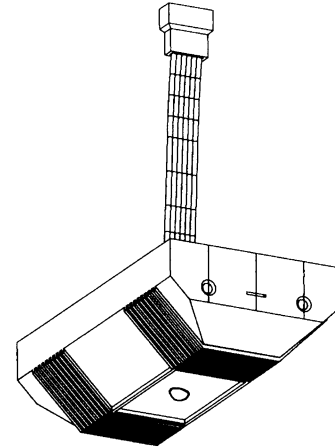
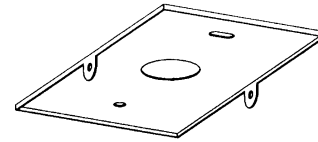
Stock Room	= # 15
Hallways	= # 10
Restroom	= # 7
Office	= # 8
Classroom	= # 9

APPROXIMATE SENSITIVITY ADJUSTMENT

3m on each side	= # 2
6m on each side	= # 3
9m on each side	= # 5
12m on each side	= # 7
15m on each side side	= # 8

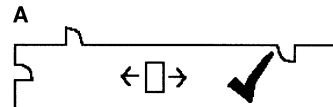
Note: When making adjustments do not attempt to force adjustment screw past limits.

DETECTOR

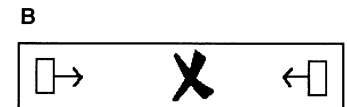


LOCATION

The best position to mount the sensor is on the ceiling in the centre of the room. It has a nominal coverage of 4.5m x 30m (135m²) with 360° coverage.



Plan of Room (Example)
*Best Position

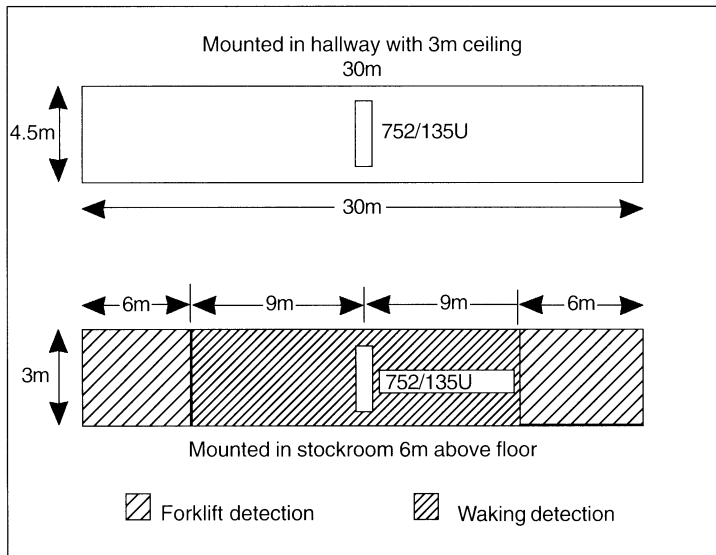


Plan of Room (Example)
Incorrect Positions

Note: Do not mount close to objects which can change temperatures rapidly eg. air-conditioning vents, heater flues.

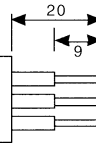
DETECTION PATTERN

Detection and range pattern



MOUNTING PROCEDURE

- Fit power supply in ceiling space within 1 metre of sensor position.
(Fit surface mount socket or similar for supply from lighting circuit.)
 - Fix base of power supply to beam.
 - Fix PCB to base using screws provided.
 - Fit 752LD (1 metre lead) to connector on PCB at extra low voltage end.
 - Fit load cables to terminals on PCB, stripped to length as shown.
 - Cut out cover as required to suit load cables.
 - Screw cover to base.
- Fit sensor to ceiling in (a predetermined) position.
 - Fix mounting flange to ceiling.
 - Cut hole for 752LD lead cable ($\varnothing 20$ mm hole).
 - Fit 752LD lead to sensor.
 - Fix sensor to mounting flange and secure using side fixing



WIRING DIAGRAM

